

Honeywell

Installation Guide



RTH4300B

Programmable Thermostat



69-1772EF



TURN OFF POWER at the heating/cooling system or the fuse/circuit breaker panel before you begin.



MERCURY NOTICE: Do not place your old thermostat in the trash if it contains mercury in a sealed tube. Contact your local waste management authority for instructions regarding recycling and proper disposal.

Need Help?

For assistance with this product please visit <http://yourhome.honeywell.com>
or call Honeywell Customer Care toll-free at **1-800-468-1502**

Read and save these instructions.

Table of contents

Getting started

Installation tips.....	2
Pre-installation checklist	3

Old thermostat removal

Remove old thermostat.....	5
Identify and label wires.....	7

New thermostat installation

Wallplate mounting	10
Wire connections	12
Battery installation	14
Set fan operation switch	15
Thermostat mounting	16

System setup

How to change settings.....	17
Set system type	18
Set heating cycle rate.....	19
Set temperature display	20

Appendices

In case of difficulty.....	21
Customer assistance	23
Accessories.....	23
1-year limited warranty.....	24

Installation is easy — even if you've never done it before!

Your new thermostat has been designed for fast, easy installation. Just follow the simple, step-by-step instructions in the following pages.

Install in three simple steps

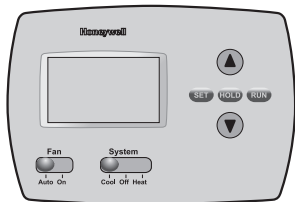
- Label wires and remove your old thermostat (see pages 5-8).
- Install and wire your new thermostat (see pages 9-16).
- Set your new thermostat to match your heating/cooling system (see pages 17-20).

Installation tips

- Have everything you need ready to go before you begin (see pages 3-4).
- Do not use wire color as a guide. Use wire labels instead (see page 8).

Pre-installation checklist

Check to make sure your package includes the following items:



RTH4300B thermostat
(wallplate attached to back)



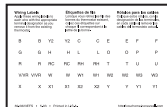
Quick
reference
card



Operating manual



Wall anchors
and mounting
screws (2
each)



Wire labels

Pre-installation checklist

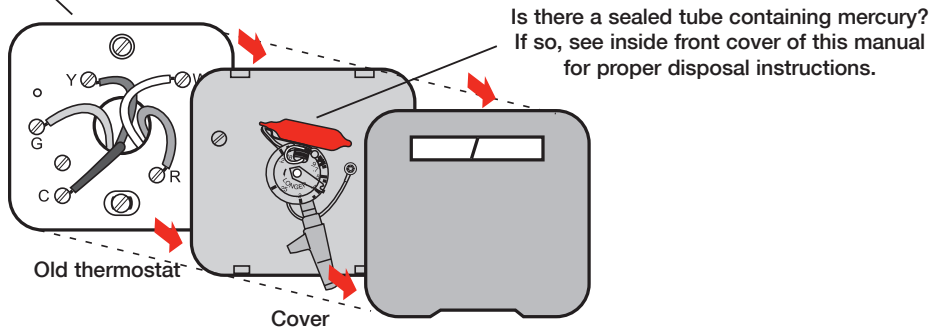
Required tools & supplies

- No. 2 Phillips screwdriver
- Small pocket screwdriver
- Drill
- Drill bit (3/16" for drywall, 7/32" for plaster)
- Hammer
- Pencil
- Electrical tape
- Level (optional)
- Two fresh AA alkaline batteries

Remove your old thermostat

1. **Turn off power** at heating/cooling system (or fuse/circuit-breaker panel).
2. Remove cover and thermostat, but leave wallplate with wires attached.

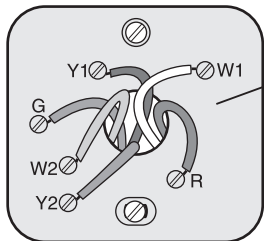
Leave wallplate in place



Did you purchase right thermostat? Count wires to check.

Count the number of wires coming out of the wall and attached to terminals in your old thermostat. If any of them are attached to a terminal marked “**C**” or “**C1**” do not count that wire in your total.

If the total (not counting **C** or **C1**) is 5 wires or less, proceed to the next page. If you have 6 or more wires, your new thermostat may not be compatible with your system. Stop installation and call 1-800-468-1502 for advice.



Do you have 6 or more wires? If so, stop now. You may have purchased the wrong replacement thermostat.

Identify wires you will not use

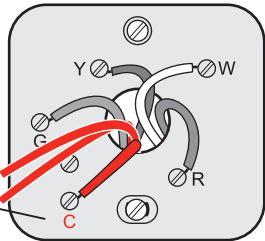
If any wires are not attached to terminals in your old thermostat, do not connect them to your new thermostat.

If a wire is attached to a terminal marked “**C**” or “**C1**,” disconnect it. You will not connect it to your new thermostat.

Wrap the bare metal ends of each unused wire with electrical tape, so it cannot touch and short out other wires.

Do not use **unconnected** wires.

Do not use **C** or **C1** wire.



Label wires and remove old wallplate

Use a screwdriver to disconnect wires one by one. As you disconnect each wire, wrap it with the label matching the letter on your old thermostat. (Adhesive labels are supplied in your thermostat package.)

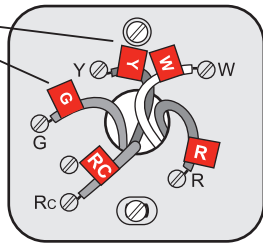
Remove the old wallplate only after all wires are labeled. Be careful not to let loose wires fall into the wall opening.

Wrap supplied labels securely around each wire.

Do not let wires fall into wall opening!

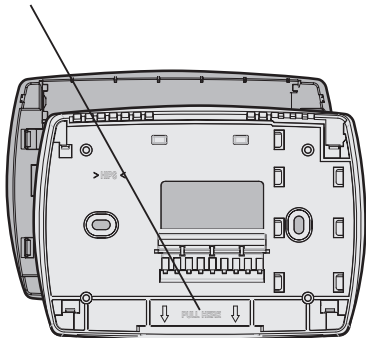


IGNORE WIRE COLORS: Use only letter designations to identify wire types.



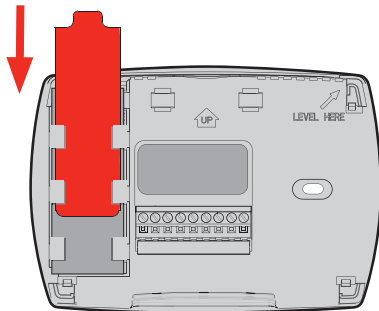
Remove wallplate and install quick reference card

Pull at bottom to remove thermostat from wallplate.



Wallplate

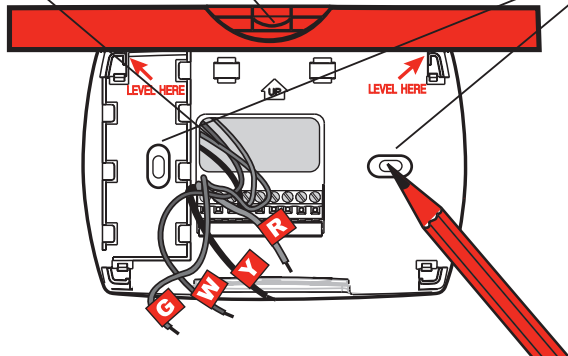
Insert quick reference card after wallplate is mounted (see mounting instructions on page 11).



Thermostat

Mark wallplate mounting position

1. Pull wires through wallplate.
2. Level wallplate if desired (lay level across tabs).
3. Mark positions of both screw holes.

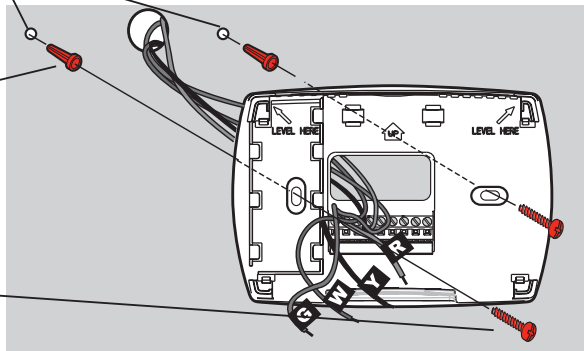


Mount wallplate

1. Drill holes at pencil-marked locations:
3/16" holes for drywall
7/32" holes for plaster.

2. Use hammer to tap anchors into holes until flush with wall.

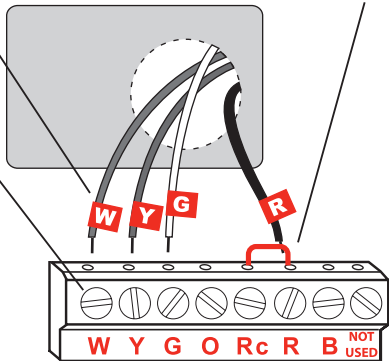
3. Place wallplate over anchors and insert screws. Check level if desired, then tighten screws.



Connect wires (typical installation)

1. Match each labeled wire with same letter on terminal.
2. Use a screwdriver to loosen screw terminals, insert wires, then tighten screws.
3. Push any excess wire back into the wall opening.

Remove metal jumper if you have both **R** and **Rc** wires.



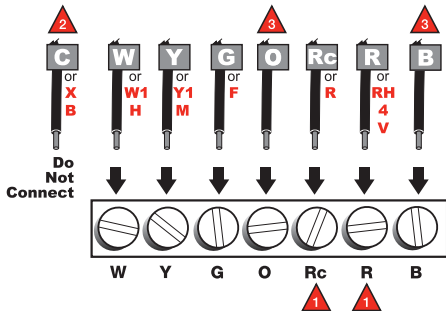
Labels don't match?

If labels do not match letters on thermostat, see next page.

Connect wires (less common wire designations)

If labels do not match letters on the thermostat, check the chart at right and connect to terminal as shown here (see notes, below).

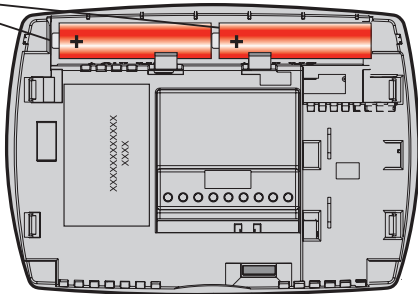
- 1** If wires will be connected to both **R** and **Rc** terminals, remove metal jumper (see page 12).
- 2** Do not use **C**, **X**, or **B**. Wrap bare end of wire with electrical tape.
- 3** Do not connect both **O** and **B** if you have a heat pump. Connect **O** wire to **O**. Wrap **B** wire with electrical tape and do not use.



Install batteries

Install two fresh AA alkaline batteries in back of thermostat.

After installation, batteries can be changed without removing the thermostat from the wall (see Operating Manual for more information).



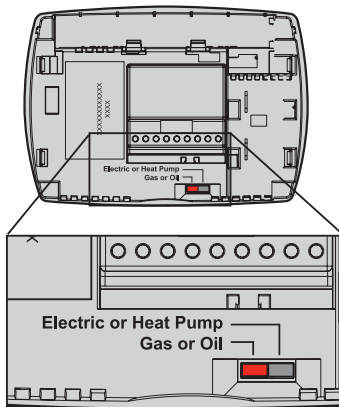
Back of thermostat

Set fan operation switch

Move the switch to the proper setting:

F: For gas or oil heating systems, leave the fan operation switch in this factory-set position (for systems that control the fan in a call for heat).

E: Change the switch to this setting for heat pump or electric heat systems. (This setting is for systems that allow the thermostat to control the fan in a call for heat, if a fan wire is connected to the **G** terminal.)

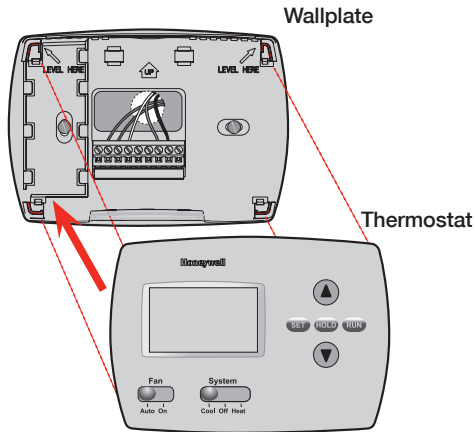


Mount thermostat and restore electrical power

1. Align the 4 tabs on the wallplate with corresponding slots on the back of the thermostat, then push gently until the thermostat snaps into place.
2. Restore electrical power at the heating/cooling system, or at the fuse/circuit-breaker panel.

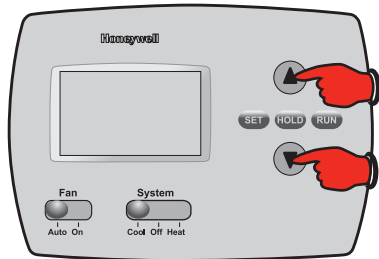


TIP: If wires interfere when you try to mount the thermostat, push excess wire back into the wall opening.

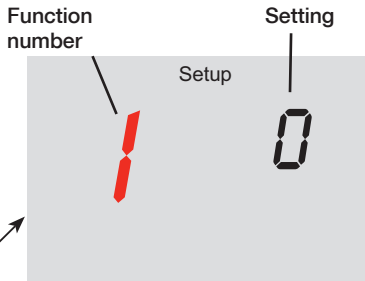


System setup (set thermostat to match your system)

Next, you must set the thermostat to match the heating/cooling system in your home. Press and hold the ▲ and ▼ buttons to enter system setup.

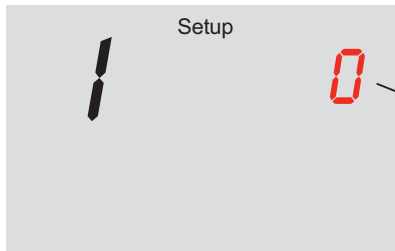


To begin, press and hold the ▲ and ▼ buttons until the display changes.



Press ▼ to change settings.
Press ▲ to advance to next function.
Press and hold ▼▲ to exit and save settings.

Function 1: System type



Press the ▼ button to select the type of climate control system you have in your home:

- 0 Heating & cooling:** Gas, oil or electric heating with central air conditioning.
- 1 Heat pump:** Outside compressor provides both heating and cooling.



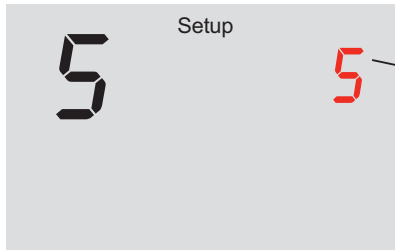
Press to change setting.

HOLD



When finished, press to advance to the next function.

Function 5: Heating cycle rate



Press the ▼ button to select your heating system and optimize its operation:

- 5 Gas or oil furnace:** Use this setting if you have a standard gas or oil furnace that is less than 90% efficient.
- 9 Electric furnace:** Use this setting if you have any type of electric heating system.
- 3 Hot water or high-efficiency furnace:** Use this setting if you have a hot water system or a gas furnace of greater than 90% efficiency.
- 1 Gas/oil steam or gravity system:** Use this setting if you have a steam or gravity heat system.



Press to change setting.

HOLD

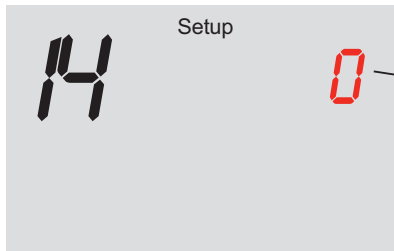


When finished, press to advance to the next function.



NOTE: If Function 5 does not appear, please turn to the next page to continue.

Function 14: Temperature display



Press the ▼ button to select Fahrenheit or Celsius temperature display:

- 0** Fahrenheit temperature display (°F)
- 1** Celsius temperature display (°C)



Press to change setting.



When finished, press the RUN button or press and hold both ▲ and ▼ buttons to exit and save changes

HOLD



In case of difficulty

If you have difficulty with your thermostat, please try the following suggestions. Most problems can be corrected quickly and easily.

Display is blank

- Check circuit breaker and reset if necessary.
- Make sure heating & cooling power switches are on.
- Make sure furnace door is closed securely.
- Make sure fresh AA alkaline batteries are correctly installed (see page 14).

Heating or cooling system does not respond

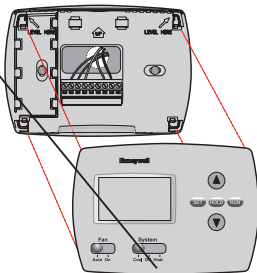
- Set System switch to Heat. Make sure the temperature is set higher than the Inside temperature.
- Set System switch to Cool. Make sure the temperature is set lower than the Inside temperature.
- Check circuit breaker and reset if necessary.
- Make sure heating & cooling power switches are on.
- Make sure furnace door is securely closed.
- Wait 5 minutes for the system to respond.

In case of difficulty

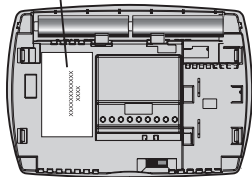
- | | |
|---|--|
| Temperature settings do not change | <p>Make sure heating and cooling temperatures are set to acceptable ranges:</p> <ul style="list-style-type: none">• Heat: 40° to 90°F (4.5° to 32°C).• Cool: 50° to 99°F (10° to 37°C). |
| “Cool On” or “Heat On” is flashing | <ul style="list-style-type: none">• Compressor protection feature is engaged. Wait 5 minutes for the system to restart safely, without damage to the compressor. |
| “Heat On” is not displayed | <ul style="list-style-type: none">• Set the System switch to <u>Heat</u>, and set the temperature level <u>above</u> the current room temperature. |
| “Cool On” is not displayed | <ul style="list-style-type: none">• Set the System switch to <u>Cool</u>, and set the temperature level <u>below</u> the current room temperature. |

Customer assistance

Pull at bottom to remove thermostat from wallplate.



Turn thermostat over to find model number and date code.



For assistance with this product, please visit <http://yourhome.honeywell.com>.

Or call Honeywell Customer Care toll-free at **1-800-468-1502**.

To save time, please note your model number and date code before calling.

Accessories

To order, please call Honeywell Customer Care toll-free at **1-800-468-1502**.

Cover plate* Part No. 50002883-001

*Use to cover marks left by old thermostats.

1-year limited warranty

Honeywell warrants this product, excluding battery, to be free from defects in the workmanship or materials, under normal use and service, for a period of one (1) year from the date of purchase by the consumer. If at any time during the warranty period the product is determined to be defective or malfunctions, Honeywell shall repair or replace it (at Honeywell's option).

If the product is defective,

- (i) return it, with a bill of sale or other dated proof of purchase, to the place from which you purchased it; or
- (ii) call Honeywell Customer Care at 1-800-468-1502. Customer Care will make the determination whether the product should be returned to the following address: Honeywell Return Goods, Dock 4 MN10-3860, 1885 Douglas Dr. N., Golden Valley, MN 55422, or whether a replacement product can be sent to you.

This warranty does not cover removal or reinstallation costs. This warranty shall not apply if it is shown by Honeywell that the defect or malfunction was caused by damage which occurred while the product was in the possession of a consumer.

Honeywell's sole responsibility shall be to repair or replace the product within the terms stated above. HONEYWELL SHALL NOT BE LIABLE FOR ANY LOSS OR DAMAGE OF ANY KIND,

1-year limited warranty

INCLUDING ANY INCIDENTAL OR CONSEQUENTIAL DAMAGES RESULTING, DIRECTLY OR INDIRECTLY, FROM ANY BREACH OF ANY WARRANTY, EXPRESS OR IMPLIED, OR ANY OTHER FAILURE OF THIS PRODUCT. Some states do not allow the exclusion or limitation of incidental or consequential damages, so this limitation may not apply to you.

THIS WARRANTY IS THE ONLY EXPRESS WARRANTY HONEYWELL MAKES ON THIS PRODUCT. THE DURATION OF ANY IMPLIED WARRANTIES, INCLUDING THE WARRANTIES OF MERCHANTABILITY AND FITNESS FOR A PARTICULAR PURPOSE, IS HEREBY LIMITED TO THE ONE-YEAR DURATION OF THIS WARRANTY.

Some states do not allow limitations on how long an implied warranty lasts, so the above limitation may not apply to you. This warranty gives you specific legal rights, and you may have other rights which vary from state to state.

If you have any questions concerning this warranty, please write Honeywell Customer Relations, 1985 Douglas Dr, Golden Valley, MN 55422 or call 1-800-468-1502. In Canada, write Retail Products ON15-02H, Honeywell Limited/ Honeywell Limitée, 35 Dynamic Drive, Toronto, Ontario M1V4Z9.

Automation and Control Systems

Honeywell International Inc.
1985 Douglas Drive North
Golden Valley, MN 55422

<http://yourhome.honeywell.com>

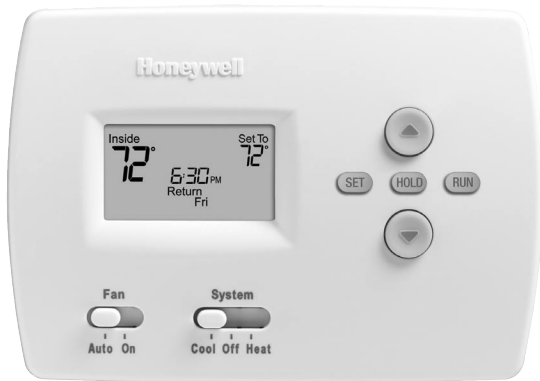


Printed in U.S.A. on recycled
paper containing at least 10%
post-consumer paper fibers.

® U.S. Registered Trademark.
© 2006 Honeywell International Inc.
69-1772EF M.S. 08-06

Honeywell Limited-Honeywell Limitée
35 Dynamic Drive
Toronto, Ontario M1V 4Z9

Honeywell



Honeywell

Guide d'installation



RTH4300B

Thermostat programmable



69-1772EF



COUPER L'ALIMENTATION du système de chauffage/climatisation, ou du panneau à disjoncteurs, avant de commencer.



REMARQUE À PROPOS DU MERCURE : Ne pas jeter l'ancien thermostat aux ordures s'il contient du mercure scellé dans un tube. Consulter l'administration locale de gestion des déchets pour connaître les instructions relatives au recyclage et à l'élimination.

Besoin d'aide?

Pour obtenir de l'assistance au sujet de ce produit, consulter le <http://yourhome.honeywell.com> ou téléphoner sans frais au Centre de service à la clientèle de Honeywell au **1 800 468-1502**

Lire et conserver ces instructions.

Table des matières

Pour commencer

Conseils d'installation.....	2
Liste de vérification avant l'installation.....	3

Enlèvement de l'ancien thermostat

Enlever l'ancien thermostat.....	5
Identifier et marquer les fils.....	7

Installation du nouveau thermostat

Installation de la plaque murale.....	10
Branchement des fils.....	12
Installation des piles.....	14
Translate "Set fan operation switch"	15
Installation du thermostat.....	16

Réglage du système

Comment changer les réglages	17
Régler le type de système.....	18
Régler le rythme de cycle de chauffage ...	19
Régler l'indicateur de température	20

Annexes

En cas de problème.....	21
Assistance à la clientèle	23
Accessoires	23
Garantie limitée d'un an	24

Installation facile — même si vous ne l'avez jamais fait auparavant!

Votre nouveau thermostat a été conçu pour être installé rapidement et facilement. Vous n'avez qu'à suivre les instructions pas à pas des pages suivantes.

Installation en trois étapes toutes simples

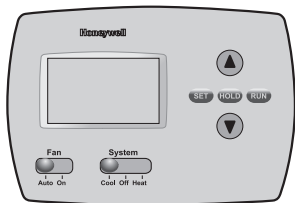
- Marquer les fils et enlever l'ancien thermostat (pages 5-8).
- Installer et brancher le nouveau thermostat (pages 9-16).
- Régler le nouveau thermostat en fonction de votre système de chauffage/ climatisation (pages 17-20).

Conseils d'installation

- Préparer ce dont vous aurez besoin avant de commencer (pages 3 et 4).
- La couleur des fils ne doit pas servir de repère. Il faut plutôt se servir des étiquettes de fils (voir page 8).

Liste de vérification avant l'installation

L'emballage doit contenir les éléments suivants :



Thermostat RTH4300B
(plaque murale fixée à l'arrière)



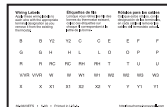
Carte
de référence
rapide



Guide d'utilisation



Fixations
murales et vis
de montage
(2 chacune)



Étiquettes de fils

Liste de vérification avant l'installation

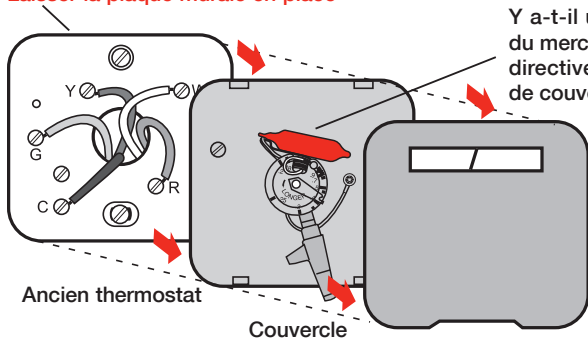
Éléments requis

- Tournevis cruciforme no 2
- Petit tournevis de poche
- Perceuse
- Foret (3/16 pour cloison sèche, 7/32 pour plâtre)
- Marteau
- Crayon
- Ruban isolant
- Niveau (optionnel)
- Deux piles alcalines AA neuves

Enlever l'ancien thermostat

1. **Couper l'alimentation** du système de chauffage/climatisation (ou du panneau à disjoncteurs).
2. Enlever le couvercle et le thermostat, mais laisser la plaque murale et les fils en place.

Laisser la plaque murale en place

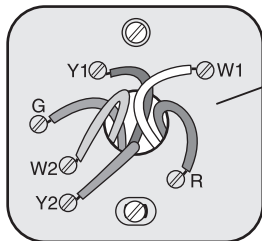


Y a-t-il un tube hermétique contenant du mercure? Si c'est le cas, consulter les directives d'élimination sur la deuxième de couverture de ce guide.

Avez-vous acheté le bon thermostat? Comptez les fils pour vérifier.

Comptez le nombre de fils sortant du mur et branchés aux bornes de l'ancien thermostat. Si des fils sont branchés à une borne marquée «**C**» ou «**C1**» ne pas les ajouter au total.

Si le total (sans compter **C** ou **C1**) est de 5 fils ou moins, allez à la page suivante. Si vous avez 6 fils ou plus, votre nouveau thermostat pourrait ne pas être compatible avec votre système. Cessez l'installation et appelez au 1 800 468-1502 pour demander conseil.



Avez-vous 6 fils ou plus? Si c'est le cas, arrêtez immédiatement. Vous pourriez avoir acheté le mauvais thermostat de remplacement.

Identifier les fils dont vous ne vous servirez pas

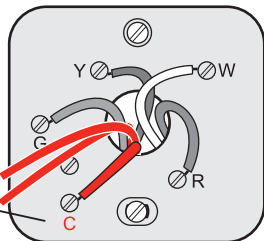
Si des fils ne sont pas branchés aux bornes de l'ancien thermostat, ne pas les brancher au nouveau thermostat.

Si un fil est branché à une borne marquée «**C**» ou «**C1**», débranchez-le. Il ne sera pas branché au nouveau thermostat.

Recouvrir le bout dénudé de chaque fil non utilisé de ruban isolant, pour éviter qu'ils ne se touchent et court-circuitent les autres fils.

Ne pas se servir des fils **débranchés**.

Ne pas se servir du fil **C** ou **C1** débranché.



Étiqueter les fils et enlever l'ancienne plaque murale

Employer un tournevis pour débrancher les fils un à un. Enrouler l'étiquette de fil correspondant à la lettre de l'ancien thermostat sur chaque fil à mesure que vous les débranchez. (Des étiquettes adhésives sont incluses avec le thermostat.)

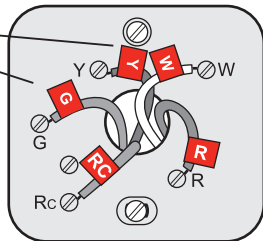
Enlever l'ancienne plaque murale après avoir étiqueté tous les fils. Faire attention à ne pas laisser les fils débranchés tomber dans le mur.

Fixer les étiquettes fournies sur chaque fil.

Ne pas laisser les fils tomber dans le mur!

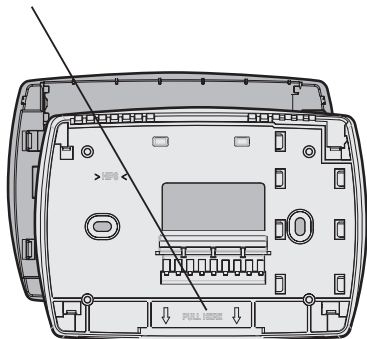


NE PAS TENIR COMPTE DES COULEURS : Utilisez seulement les désignations par lettre pour identifier les types de fil.



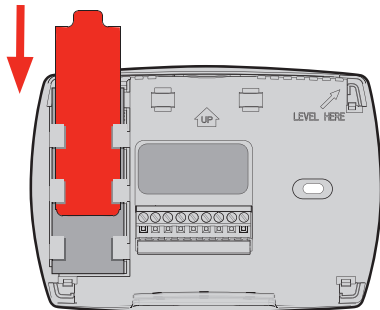
Enlever la plaque murale et installer la carte de référence.

Tirer le thermostat par le bas pour le détacher de la plaque murale.



Plaque murale

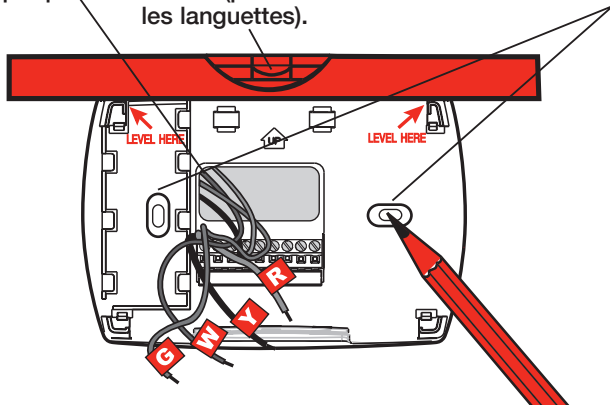
Insérer l'aide-mémoire après avoir fixé la plaque murale au mur (voir les directives d'installation à la page 11).



Thermostat

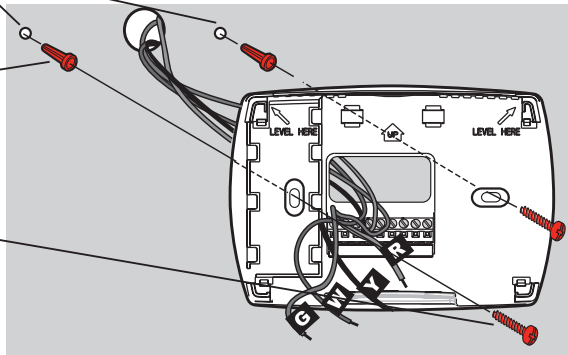
Marquer l'emplacement d'installation de la plaque murale

1. Passer les fils au travers de la plaque murale.
2. Si désiré, niveler la plaque murale (placer le niveau sur les languettes).
3. Marquer l'emplacement des deux trous de vis.



Marquer l'emplacement d'installation de la plaque murale

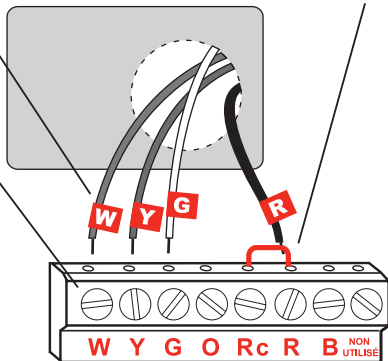
1. Percer les trous aux endroits marqués :
trous 3/16 pour cloison sèche et 7/32 pour le plâtre
2. Employer un marteau pour enfoncer les fixations dans les trous jusqu'à ce qu'elles soient encastrées dans le mur.
3. Placer la plaque murale sur les fixations et insérer les vis.
Si désiré, mettre de niveau, puis serrer les vis.



Brancher les fils (installation habituelle)

1. Associer chaque fil étiqueté à la lettre correspondante sur la borne.
2. Employer un tournevis pour dévisser les bornes à vis, insérer les fils et serrer les vis.
3. Repousser tous les fils excédents dans le mur.

Enlever le cavalier en métal si vous avez des fils **R** et **Rc**.



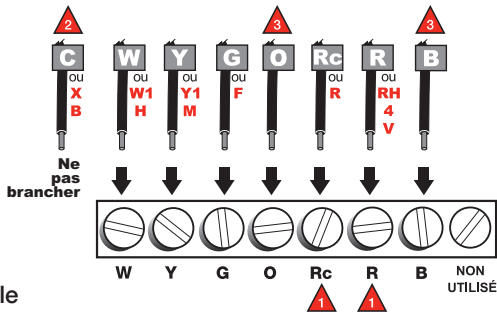
Les étiquettes ne correspondent pas?

Si les étiquettes ne correspondent pas aux lettres du thermostat, consulter la page suivante.

Brancher les fils (configurations rares)

Si les étiquettes ne correspondent pas aux lettres du thermostat, consulter la grille à droite (voir les notes dessous).

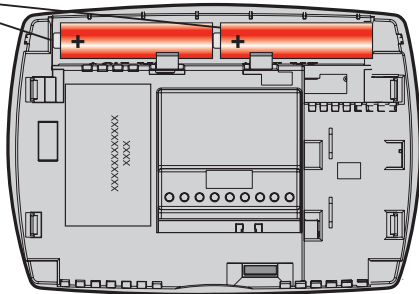
- 1** Si des fils seront branchés aux bornes **R** et **Rc**, enlever le cavalier en métal (page 12).
- 2** Ne pas se servir de **C**, **X**, ou **B**. Enrouler du ruban isolant sur le bout dénudé du fil.
- 3** Ne pas brancher **O** et **B** si vous avez une thermopompe. Brancher le fil **O** à **O**. Enrouler du ruban isolant sur le fil **B** et ne pas l'utiliser.



Placer les piles

Placer deux piles alcalines AA neuves à l'arrière du thermostat.

Après l'installation, les piles peuvent être remplacées sans enlever le thermostat du mur (voir le Guide d'utilisation pour obtenir plus d'information).



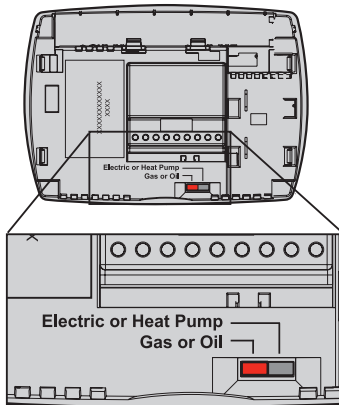
Endos du thermostat

Réglages du ventilateur

Placer le sélecteur à la position qui correspond au système :

F : S'il s'agit d'un système de chauffage au gaz ou au mazout, laisser le sélecteur à la position réglée en usine (pour les systèmes qui commandent la mise en marche du ventilateur lors d'une demande de chaleur).

E : Déplacer le commutateur à cette position si le système est une thermopompe ou un appareil de chauffage électrique. (À cette position, le thermostat commande la mise en marche du ventilateur lors d'une demande de chaleur si un fil du ventilateur est raccordé à la borne **G**.)

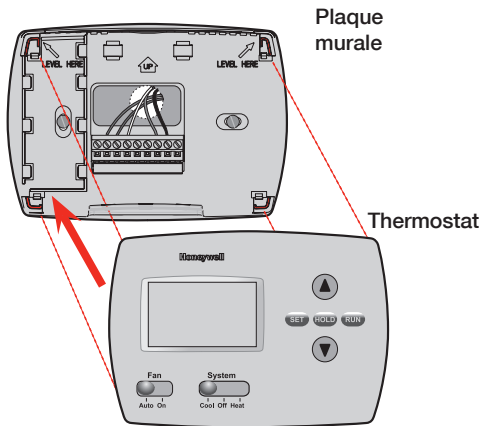


Installer le thermostat et rétablir le courant

1. Placer les fentes à l'arrière du thermostat vis à vis des languettes correspondantes de la plaque murale, puis appuyer doucement jusqu'à ce qu'elles s'engagent une dans l'autre.
2. Rétablir l'alimentation du système de chauffage/climatisation ou du panneau à disjoncteurs.

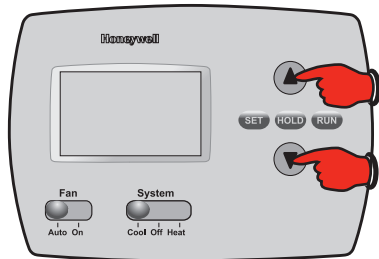


ASTUCE : Si des fils nuisent à l'installation du thermostat, pousser les fils non utilisés dans le mur.



Réglage du système (pour faire correspondre le thermostat à votre système)

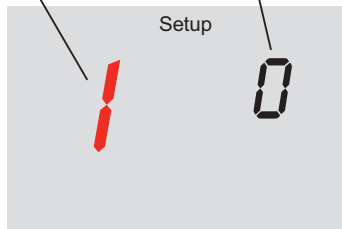
Ensuite, configurer le thermostat pour le réglage du système de chauffage et de climatisation de votre résidence. Appuyer sur les touches ▲ et ▼ et les maintenir enfoncées pour initier la configuration.



Pour commencer, enfoncer et tenir les touches ▲ et ▼ jusqu'à ce que l'affichage change.

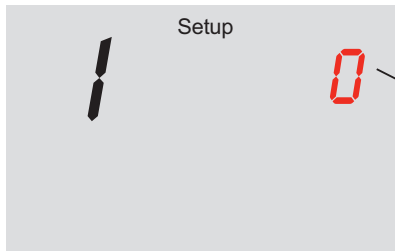
Numéro de fonction

Réglage



Appuyer sur ▼ pour modifier les réglages. Appuyer sur ▲ pour passer à la fonction suivante. Appuyer sur ▼▲ pour quitter la configuration et enregistrer les réglages.

Fonction 1 : Type de système



Appuyer sur les touches ▼ pour sélectionner le type de système de climatisation que vous avez dans votre résidence :

- 0 Chauffage et climatisation :** Chauffage au gaz naturel, au mazout ou à l'électricité avec climatiseur central.
- 1 Thermopompe :** Un compresseur extérieur fournit le chauffage et la climatisation.



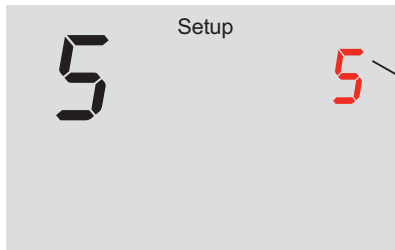
Appuyer sur cette touche pour changer le réglage.

HOLD



Après avoir terminé, appuyer sur cette touche pour aller à la prochaine fonction.

Fonction 5 : Rythme de cycle de chauffage



Appuyez sur les touches ▼ pour sélectionner le système de chauffage et optimiser sont fonctionnement :

- 5 Fournaise au gaz naturel ou au mazout :** Utiliser se réglage si la fournaise au gaz naturel ou au mazout est un modèle standard avec une efficacité inférieure à 90 %.
- 9 Fournaise à l'électricité :** Utiliser ce réglage pour tout type de système de chauffage à l'électricité.
- 3 Eau chaude ou fournaise à haut rendement :** Utiliser ce réglage si le système de chauffage fonctionne à l'eau chaude ou si la fournaise est un modèle à efficacité supérieure à 90 %.
- 1 Systèmes à la vapeur ou gravitaires :** Utiliser ce réglage pour les systèmes de chauffage à la vapeur ou gravitaires.



Appuyer sur cette touche pour changer le réglage.

HOLD

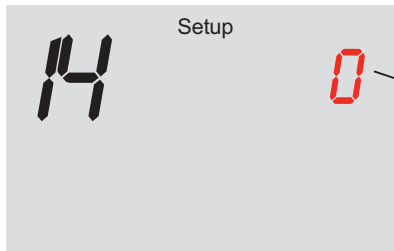


Après avoir terminé, appuyer sur cette touche pour aller à la prochaine fonction.



REMARQUE : Si la fonction 5 n'apparaît pas, voir la page suivante pour continuer.

Fonction 14 : Affichage de la température



Appuyer sur les touches ▼ pour choisir d'afficher la température en Fahrenheit ou en Celsius :

- 0 Affichage de la température en **Fahrenheit (°F)**
- 1 Affichage de la température en **Celsius (°C)**



Appuyer sur cette touche pour changer le réglage.



Une fois terminé, appuyer sur le bouton RUN ou appuyer simultanément sur les boutons

HOLD



▲ et ▼ et les maintenir enfoncés pour quitter et sauvegarder les changements.

En cas de problème

Si le thermostat cause des ennuis, essayer l'une de ces suggestions. La plupart des problèmes peuvent être réglés rapidement et facilement.

L'écran est vide

- Vérifier le disjoncteur et réinitialiser si nécessaire.
- S'assurer que les commutateurs de chauffage et de climatisation fonctionnent.
- S'assurer que la porte du système de chauffage est bien fermée.
- S'assurer que les piles alcalines AA ont été bien installées (voir page 14).

Le système de chauffage ou de climatisation ne fonctionne pas

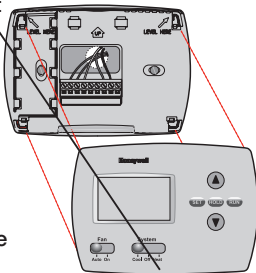
- Régler le commutateur du système à Heat. S'assurer que la température réglée est supérieure à la température intérieure.
- Régler le commutateur du système à Cool. S'assurer que la température réglée est inférieure à la température intérieure.
- Vérifier le disjoncteur et réinitialiser si nécessaire.
- S'assurer que les commutateurs de chauffage et de climatisation fonctionnent.
- S'assurer que la porte du système de chauffage est bien fermée.
- Attendre 5 minutes que le système se mette en marche.

En cas de problème

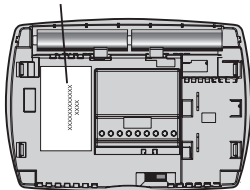
- Les réglages de la température ne changent pas** S'assurer que le réglage des températures de chauffage et de climatisation est acceptable :
- Heat : 4,5 à 32°C (40 à 90°F)
 - Cool : 10 à 37°C (50 à 99°F)
- Les mentions "Cool On" ou "Heat On" clignotent**
- La fonction de protection du compresseur est activée. Attendre 5 minutes que le système redémarre en toute sécurité, sans endommager le compresseur.
- La mention "Heat On" n'apparaît pas**
- Régler le commutateur à Heat et, la température au-dessus de la température ambiante.
- La mention "Cool On" n'apparaît pas**
- Régler le commutateur à Cool et, la température sous la température ambiante.

Assistance à la clientèle

Tirer le thermostat par le bas pour le détacher de la plaque murale.



Regarder au dos du thermostat pour connaître le numéro de modèle et le code dateur.



Pour obtenir de l'aide avec ce produit, veuillez consulter le site

<http://yourhome.honeywell.com>.

Ou téléphoner sans frais au Centre de service à la clientèle de Honeywell au **1 800 468-1502**.

Pour gagner du temps, écrire le numéro de modèle et le code dateur avant d'appeler.

Accessoires

Pour commander, adressez-vous au Service à la clientèle de Honeywell en composant sans frais le **1 800 468-1502**.

Couvercle de plaque* ... N° de pièce 50002883-001

*Sert à masquer les marques laissées par l'ancien thermostat.

Garantie limitée d'un an

Honeywell garantit ce produit, à l'exception des piles, contre tout défaut de pièce ou de main-d'oeuvre, durant une période d'un (1)an à partir de la date d'achat si le produit est utilisé et entretenu convenablement. Si, à n'importe quel moment de la période de garantie, le produit est défectueux, Honeywell le réparera ou le remplacera (à sa discrétion).

En cas de défectuosité du produit,

- (i) le retourner, avec le reçu d'achat ou une autre preuve d'achat datée, à l'endroit où il a été acheté, ou
- (ii) téléphoner au Centre de service à la clientèle de Honeywell au 1 800 468-1502. Le Centre décidera alors s'il faut retourner le produit à l'adresse suivante : Honeywell Return Goods, Dock 4 MN10-3860, 1885 Douglas Dr. N, Golden Valley, MN 55422, ou s'il vous fera parvenir un produit de remplacement.

Cette garantie ne couvre pas les frais de démontage ou d'installation. La garantie sera annulée si Honeywell prouve que la défectuosité a été causée par des dommages apparus alors que le client était en possession du produit.

La responsabilité d'Honeywell se limite à la réparation ou au remplacement du produit selon les termes énoncés. HONEYWELL NE PEUT ÊTRE TENUE RESPONSABLE DE PERTE

Garantie limitée d'un an

OU DOMMAGE DE TOUTES SORTES, INCLUANT LES DOMMAGES ACCIDENTELS OU CONSÉCUTIFS RÉSULTANT, DIRECTEMENT OU INDIRECTEMENT, DE TOUT MANQUEMENT À N'IMPORTE QUELLE GARANTIE, EXPRESSE OU IMPLICITE, OU DE TOUTE AUTRE DÉFAILLANCE DU PRODUIT. Certains États ou provinces ne permettent pas l'exclusion ou la restriction des dommages accidentels ou consécutifs, cette restriction pourrait donc ne pas s'appliquer.

CETTE GARANTIE EST LA SEULE GARANTIE EXPRESSE QUE HONEYWELL OFFRE POUR CE PRODUIT. LA DURÉE DE TOUTE GARANTIE IMPLICITE, INCLUANT LES GARANTIES DE QUALITÉ MARCHANDE OU D'ADAPTATION À UNE UTILISATION PARTICULIÈRE, EST LIMITÉE PAR LES PRÉSENTES À LA PÉRIODE D'UNE ANNÉE DE LA PRÉSENTE GARANTIE.

Certains États ou provinces ne permettent aucune restriction sur la durée d'une garantie implicite, la restriction ci-dessus pourrait donc ne pas s'appliquer. La présente garantie vous confère des droits juridiques spécifiques, et vous pourriez également jouir d'autres droits selon votre État ou province.

Pour toute question au sujet de la garantie, écrire au Bureau de relations avec les clients de Honeywell à l'adresse suivante : 1985 Douglas Dr., Golden Valley, MN 55422 ou téléphoner au 1 800 468-1502. Au Canada, écrire à l'adresse : Retail Products ON15-02H, Honeywell Limited/ Honeywell Limitée, 35, Promenade Dynamic, Scarborough (Ontario) M1V4Z9.

Systemes d'automatisation et de controle

Honeywell International Inc.
1985 Douglas Drive North
Golden Valley, MN 55422

<http://yourhome.honeywell.com>



Imprimé aux É.-U. sur du papier recyclé
contenant au moins 10 % de fibres de
papier recyclées après consommation.

® Marque déposée aux É.-U.
© 2006 Honeywell International Inc.
69-1772EF M.S. 08-06

Honeywell Limited-Honeywell Limitée
35 Dynamic Drive
Toronto, Ontario M1V 4Z9

Honeywell